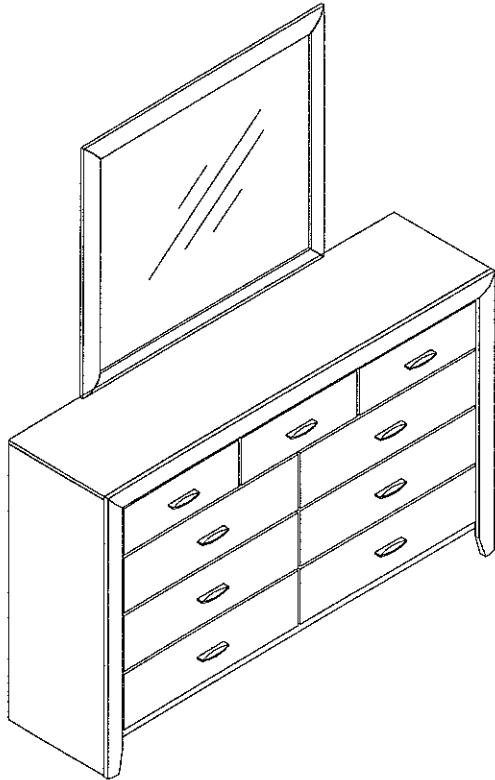


ASSEMBLY INSTRUCTIONS





MIRROR



PARTS LIST

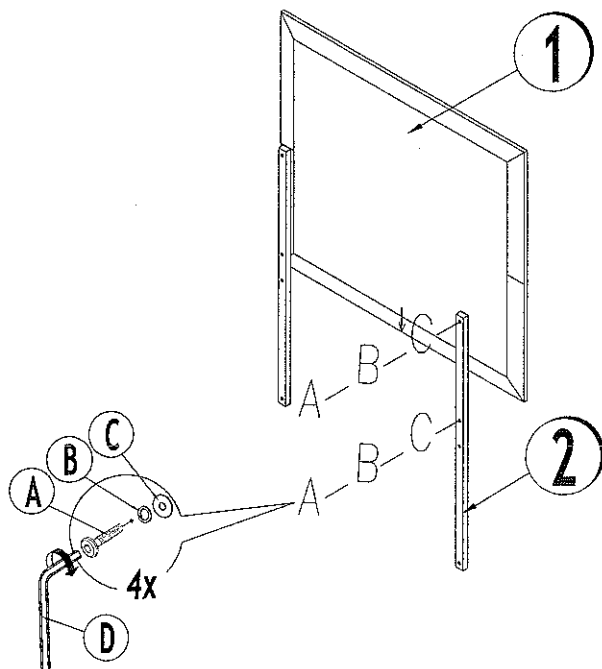
NO	DESCRIPTION	QTY
1	MIRROR FRAME	1 PC.
2	SUPPORT RAIL	2 PCS.

HARDWARE LIST

NO	DESCRIPTION	QTY	
A	JCBC M6 x 35mm	8 PCS.	A 
B	SPRING WASHER M8	8 PCS.	B 
C	FLAT WASHER M8	8 PCS.	C 
D	ALLEN KEY M4	1 PC.	D 

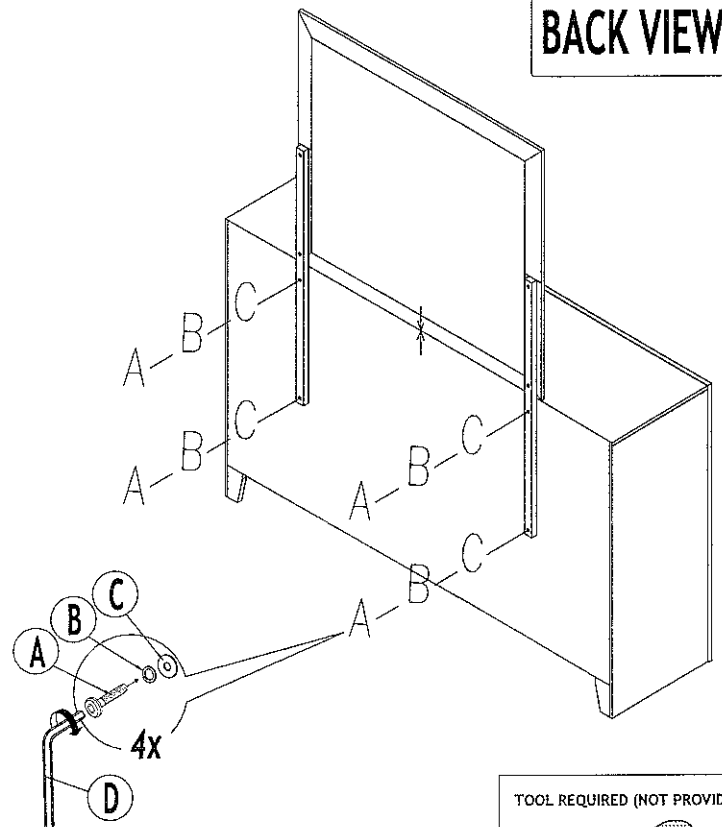
STEP 1

BACK VIEW

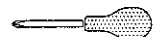


STEP 2

BACK VIEW

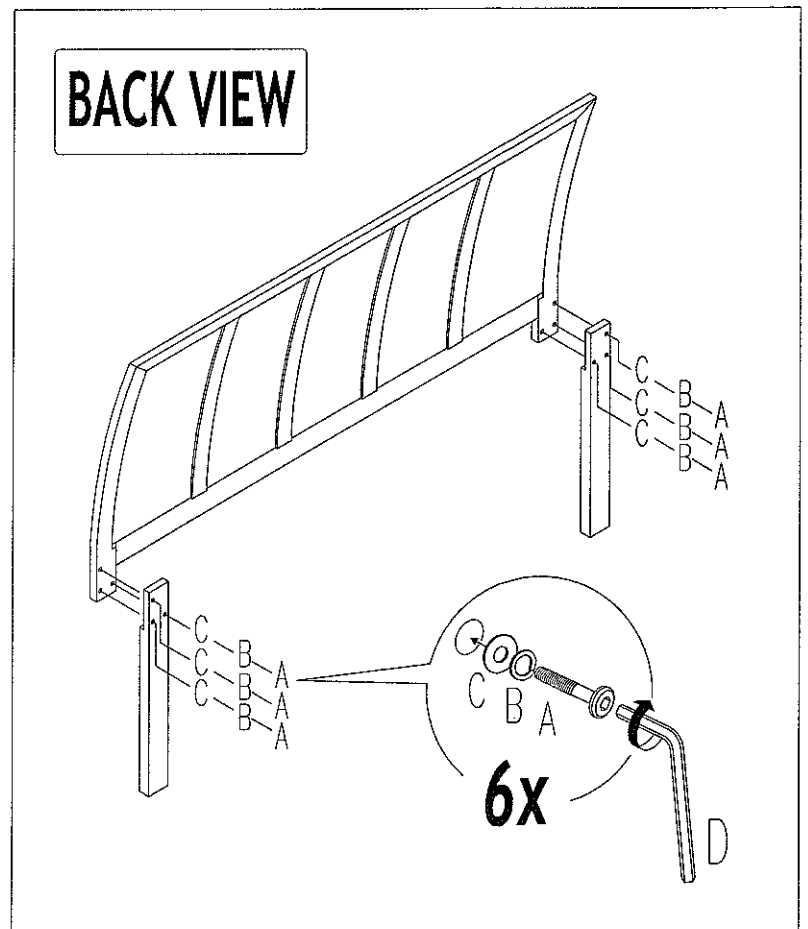
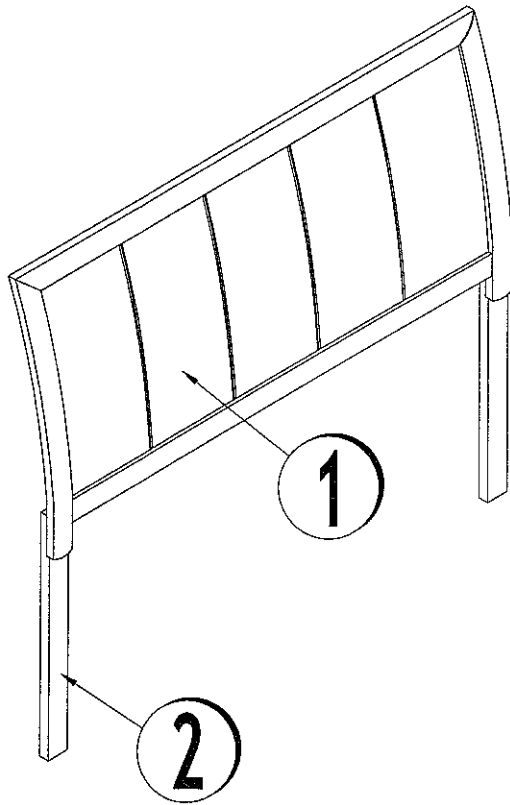


TOOL REQUIRED (NOT PROVIDED)



ASSEMBLY INSTRUCTIONS

QUEEN HEADBOARD

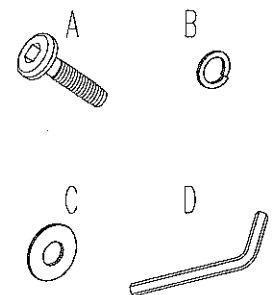


PARTS LIST

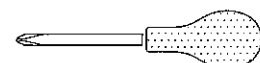
NO	DESCRIPTION	QTY
1	HEADBOARD	1 PC.
2	HEADBOARD LEG (L / R)	2 PCS.

HARDWARE LIST

NO	DESCRIPTION	QTY
A	JCBB (M8 x 40MM)	6 PCS.
B	SPRING WASHER (M8)	6 PCS.
C	FLAT WASHER (M8)	6 PCS.
D	ALLEN KEY (M5)	1 PC.



TOOL REQUIRED (NOT PROVIDED)

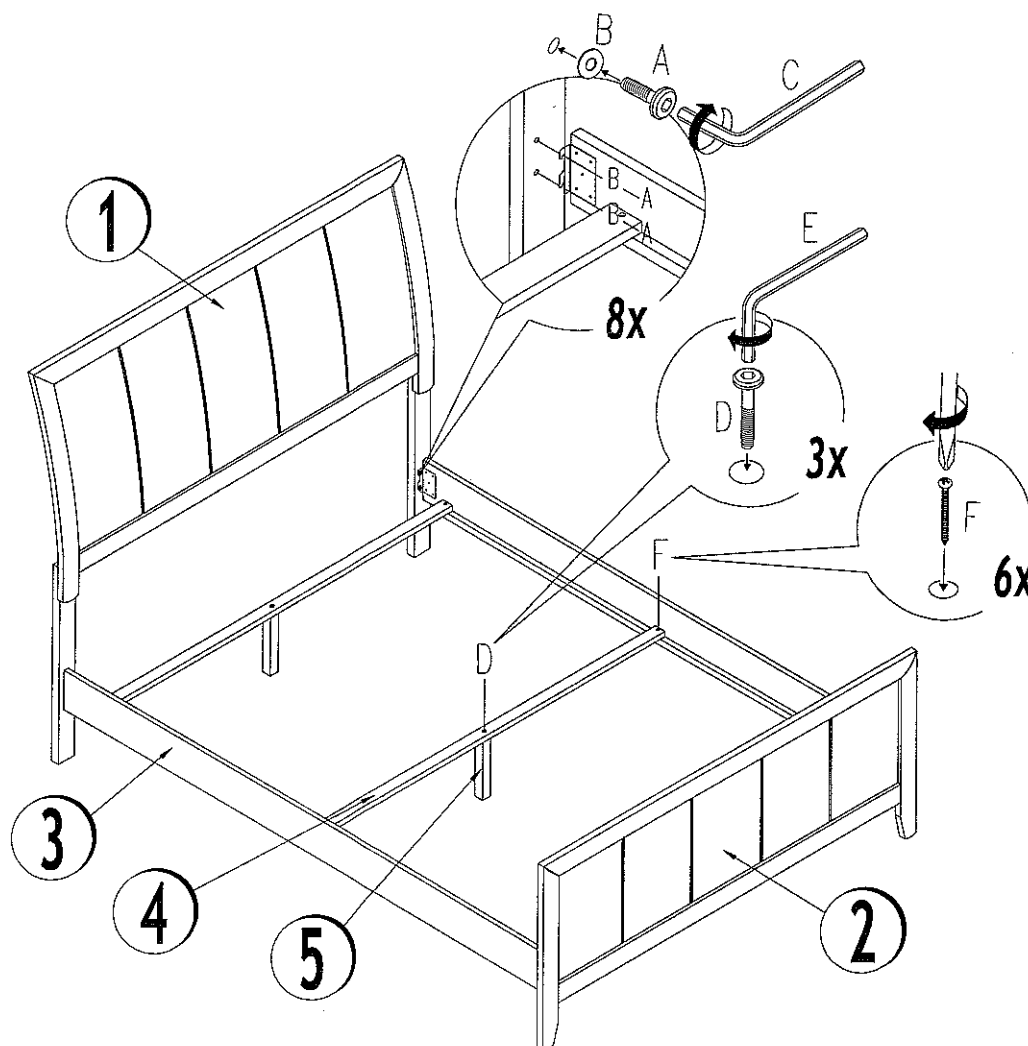


IMPORTANT NOTE :

- * Place all wooden parts on a clean and smooth surface such as a rug or carpet to avoid the parts from being scratched.
- * Check to be sure that you have all parts and hardware.
- * Remove all wrapping materials, including staples & packing straps before you start to assemble.
- * Do not tighten all screws/bolts until all completely assembled.
- * Keep all hardware parts out of reach of children.

ASSEMBLY INSTRUCTIONS

QUEEN BED

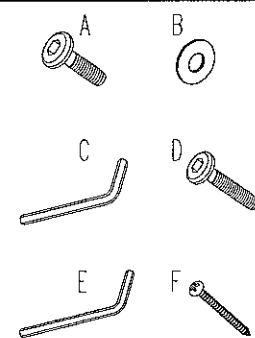


PARTS LIST

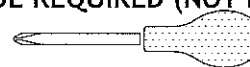
NO	DESCRIPTION	QTY
1	HEADBOARD	1 PC.
2	FOOTBOARD	1 PC.
3	SIDE RAIL	2 PCS.
4	SLAT	3 PCS.
5	VERTICAL LEG	3 PCS.

HARDWARE LIST

NO	DESCRIPTION	QTY
A	JCBB (M8 x 20)	8 PCS.
B	FLAT WASHER (M8)	8 PCS.
C	ALLEN KEY (M5)	1 PC.
D	JCBC (M6 x 35)	3 PCS.
E	ALLEN KEY (M4)	1 PC.
F	PANHEAD SCREW M4 x 32MM	6 PCS.



TOOL REQUIRED (NOT PROVIDED)

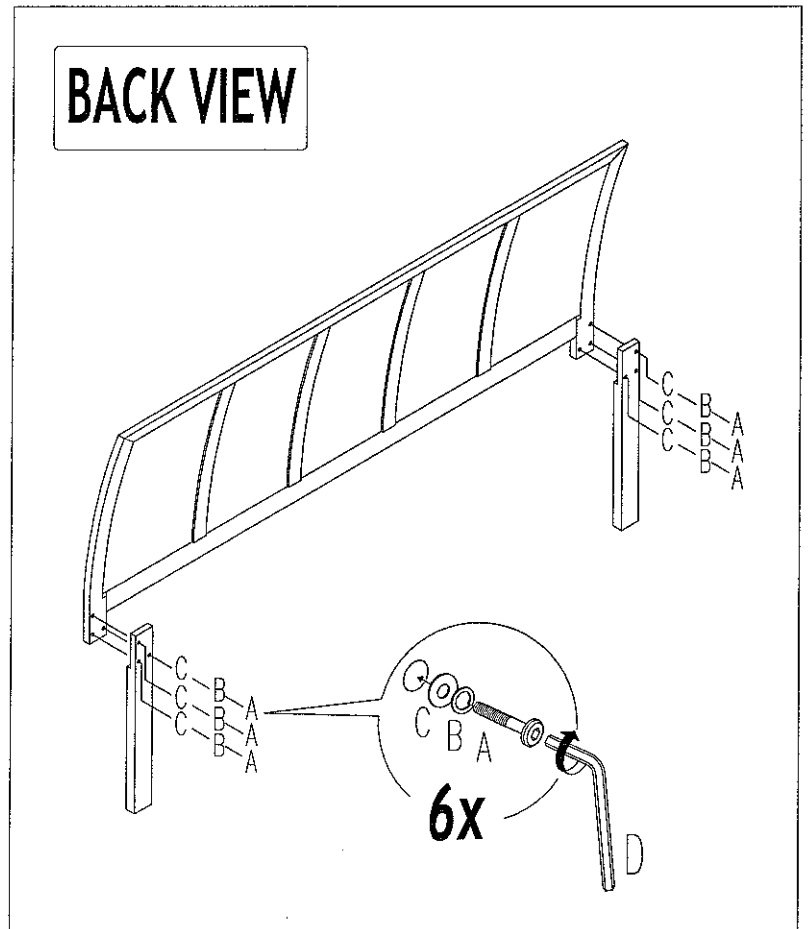
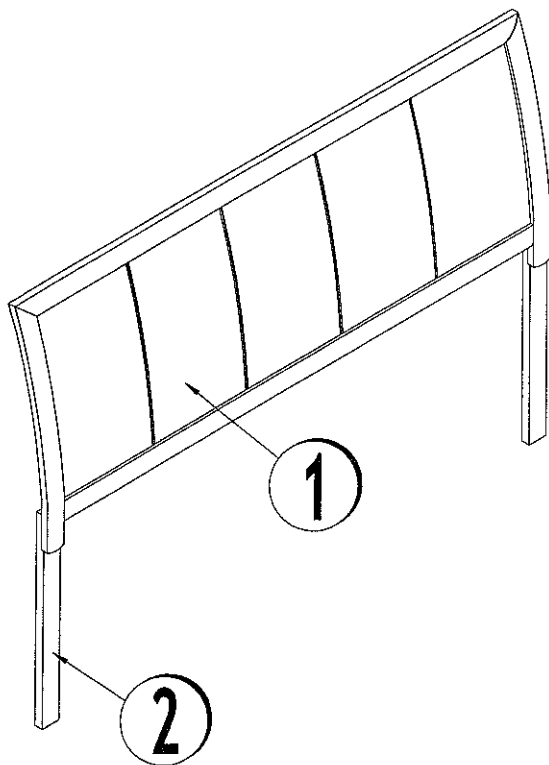


IMPORTANT NOTE :

- * Place all wooden parts on a clean and smooth surface such as a rug or carpet to avoid the parts from being scratched.
- * Check to be sure that you have all parts and hardware.
- * Remove all wrapping materials, including staples & packing straps before you start to assemble.
- * Do not tighten all screws/bolts until all completely assembled.
- * Keep all hardware parts out of reach of children.

ASSEMBLY INSTRUCTIONS

KING HEADBOARD

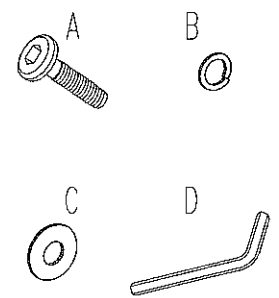


PARTS LIST

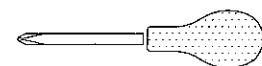
NO	DESCRIPTION	QTY
1	HEADBOARD	1 PC.
2	HEADBOARD LEG (L / R)	2 PCS.

HARDWARE LIST

NO	DESCRIPTION	QTY
A	JCBB (M8 x 40MM)	6 PCS.
B	SPRING WASHER (M8)	6 PCS.
C	FLAT WASHER (M8)	6 PCS.
D	ALLEN KEY (M5)	1 PC.



TOOL REQUIRED (NOT PROVIDED)

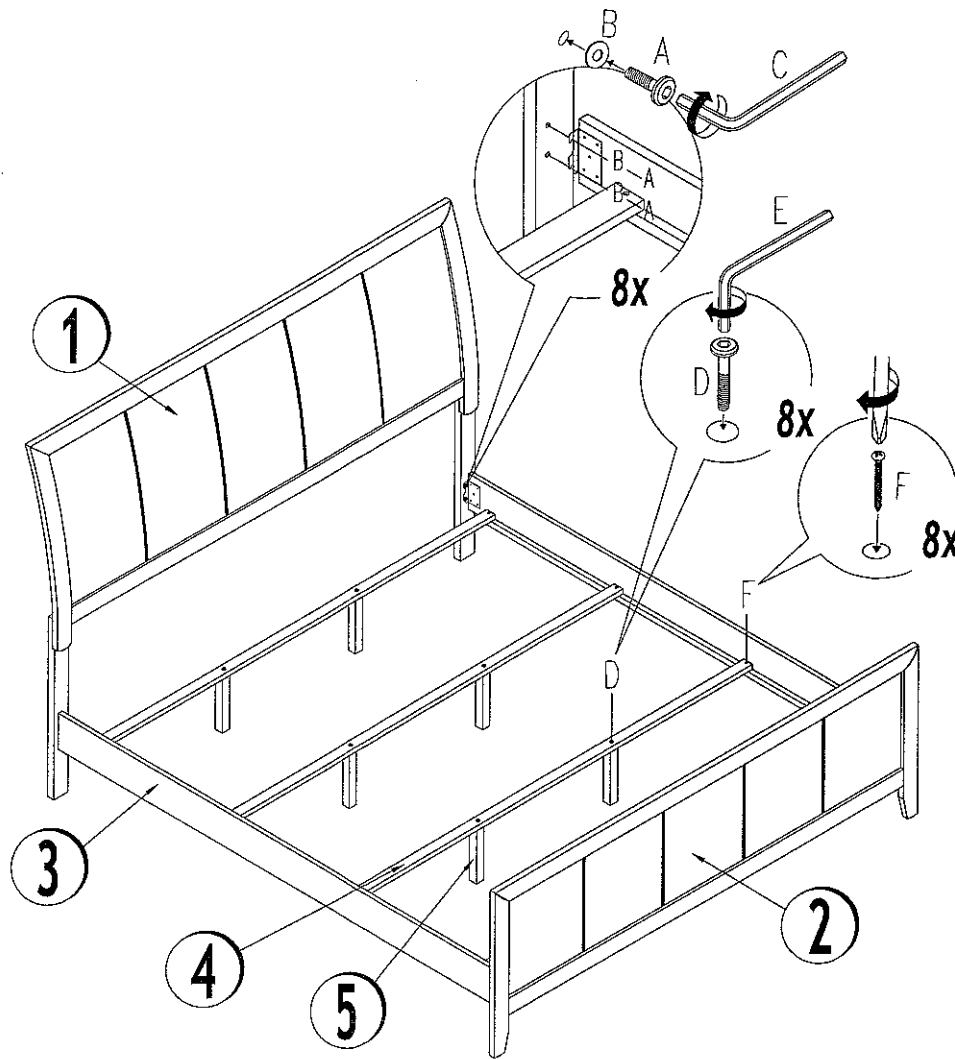


IMPORTANT NOTE :

- * Place all wooden parts on a clean and smooth surface such as a rug or carpet to avoid the parts from being scratched.
- * Check to be sure that you have all parts and hardware.
- * Remove all wrapping materials, including staples & packing straps before you start to assemble.
- * Do not tighten all screws/bolts until all completely assembled.
- * Keep all hardware parts out of reach of children.

ASSEMBLY INSTRUCTIONS

KING BED

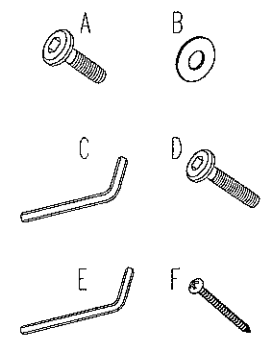


PARTS LIST

NO	DESCRIPTION	QTY
1	HEADBOARD	1 PC.
2	FOOTBOARD	1 PC.
3	SIDE RAIL	2 PCS.
4	SLAT	4 PCS.
5	VERTICAL LEG	8 PCS.

HARDWARE LIST

NO	DESCRIPTION	QTY
A	JCBB (M8 x 20)	8 PCS.
B	FLAT WASHER (M8)	8 PCS.
C	ALLEN KEY (M5)	1 PC.
D	JCBC (M6 x 35)	8 PCS.
E	ALLEN KEY (M4)	1 PC.
F	PANHEAD SCREW M4 x 32MM	8 PCS.



TOOL REQUIRED (NOT PROVIDED)

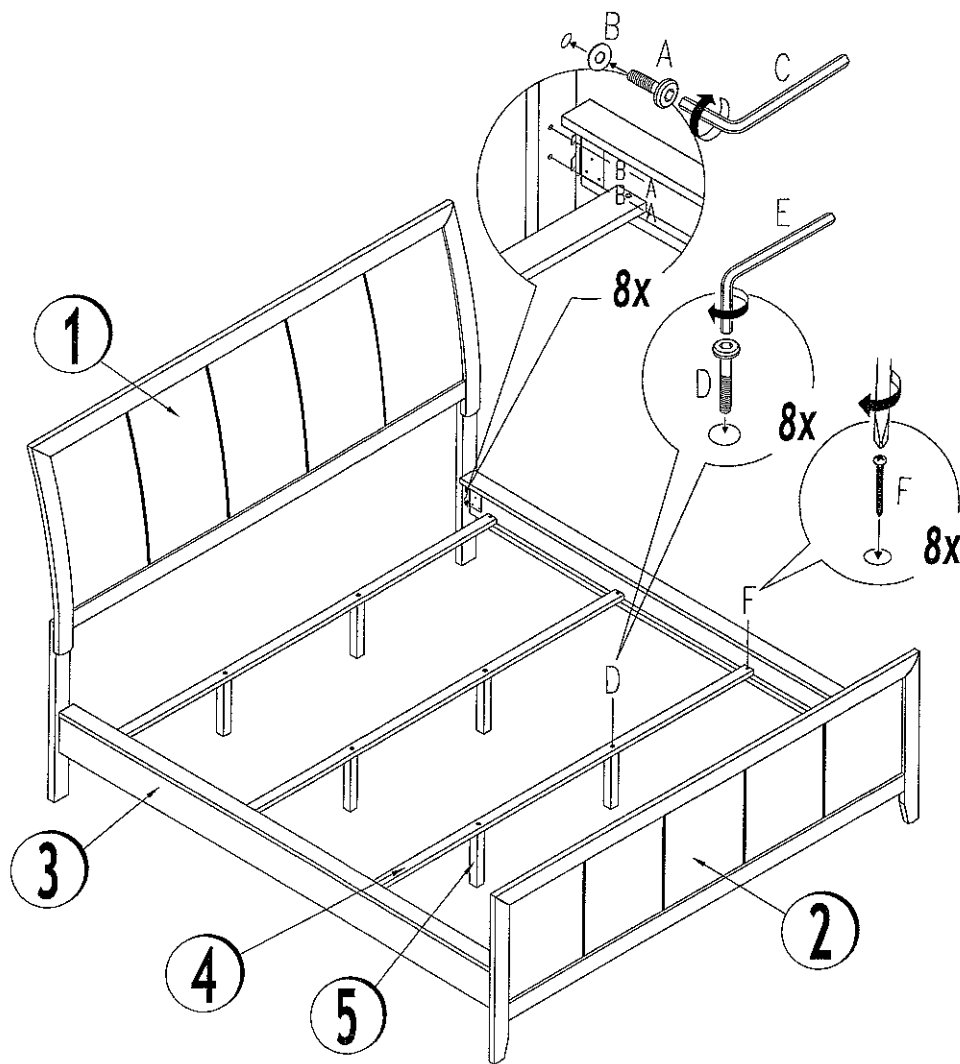


IMPORTANT NOTE :

- * Place all wooden parts on a clean and smooth surface such as a rug or carpet to avoid the parts from being scratched.
- * Check to be sure that you have all parts and hardware.
- * Remove all wrapping materials, including staples & packing straps before you start to assemble.
- * Do not tighten all screws/bolts until all completely assembled.
- * Keep all hardware parts out of reach of children.

ASSEMBLY INSTRUCTIONS

C.K BED

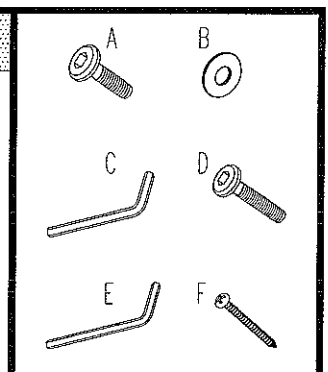


PARTS LIST

NO	DESCRIPTION	QTY
1	HEADBOARD	1 PC.
2	FOOTBOARD	1 PC.
3	SIDE RAIL	2 PCS.
4	SLAT	4 PCS.
5	VERTICAL LEG	8 PCS.

HARDWARE LIST

NO	DESCRIPTION	QTY
A	JCBB (M8 x 20)	8 PCS.
B	FLAT WASHER (M8)	8 PCS.
C	ALLEN KEY (M5)	1 PC.
D	JCBC (M6 x 35)	8 PCS.
E	ALLEN KEY (M4)	1 PC.
F	PANHEAD SCREW M4 x 32MM	8 PCS.



TOOL REQUIRED (NOT PROVIDED)



IMPORTANT NOTE :

- * Place all wooden parts on a clean and smooth surface such as a rug or carpet to avoid the parts from being scratched.
- * Check to be sure that you have all parts and hardware.
- * Remove all wrapping materials, including staples & packing straps before you start to assemble.
- * Do not tighten all screws/bolts until all completely assembled.
- * Keep all hardware parts out of reach of children.